

### Technical data on distribution transformers from 100 kVA to 3150 kVA

Rated high voltage:	6 kV $\pm 2 \times 2.5 \%$
Rated low voltage:	400 V
Frequency:	50 Hz
Vector group:	Dyn11
Thermal insulation class HV/LV:	F/F
Maximum ambient temperature:	40 °C
Windings temperature rise:	100 °K
Environmental, climatic and fire classes	E2-C2-F1 according to IEC60076-11 edition 05/2004
Material windings:	Aluminium
Cooling system:	AN (ambient natural) / AF (air forced)
Protection class:	IP00/IP21-31
Location above sea level:	$\leq 1000$ m
Basic equipment:	RTD sensors PT100 (3 pcs.) Off-circuit tapplings links , Lifting lugs (4 pcs.), Earthing locations (2pcs.)

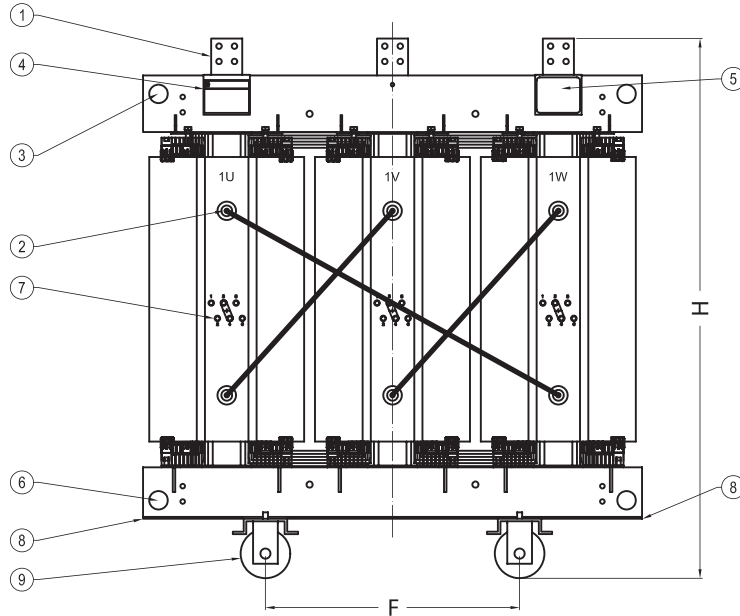
### Technical data

Name kV*A	No load losses , W	Load losses at 75 °C W	Load losses at 120 °C, W	Efficiency				Sound pressure, L <sub>padB</sub> (A)	No-load current, %	Short-circuit impedance, U <sub>k</sub> %	Weight, kg	Dimensions		
				4/4 Cos $\phi=1$ (%)	4/4 Cos $\phi=0.9$ (%)	4/3 Cos $\phi=1$ (%)	4/3 Cos $\phi=0.9$ (%)					Length	Width	Height
GreenCast® 100/6/0,4	550	1800	2000	97,51	97,24	97,81	97,60	48	2,3	6	600	1095	650	1050
GreenCast® 160/6/0,4	650	2800	3150	97,68	97,43	90,02	97,81	51	2,0	6	700	1100		1120
GreenCast® 200/6/0,4	750	3250	3800	97,77	97,53	98,11	97,91	53	1,9	6	850	1150		1185
GreenCast® 250/6/0,4	800	3800	4400	97,96	97,74	98,28	98,09	54	1,8	6	950	1170		1200
GreenCast® 315/6/0,4	1000	4600	5200	98,7	97,86	98,36	98,18	56	1,7	6	1100	1230		1300
GreenCast® 400/6/0,4	1100	5200	5950	98,26	98,08	98,54	98,39	57	1,5	6	1280	1260	800	1500
GreenCast® 500/6/0,4	1350	5800	6700	98,41	98,24	98,65	98,51	57	1,4	6	1400	1320		1500
GreenCast® 630/6/0,4	1600	7000	8100	98,48	98,32	98,71	98,57	58	1,3	6	1650	1350		1600
GreenCast® 800/6/0,4	1850	8300	9500	98,60	98,45	98,81	98,68	59	1,2	6	1900	1470		1670
GreenCast® 1000/6/0,4	2200	9500	10800	98,72	98,57	98,91	98,79	60	1,1	6	2250	1530	950	1760
GreenCast® 1250/6/0,4	2500	11500	13000	98,77	98,64	98,96	98,85	62	1,0	6	2700	1590		1850
GreenCast® 1600/6/0,4	3000	13000	15000	98,88	98,76	99,05	98,95	62	0,9	6	3350	1710	1200	2000
GreenCast® 2000/6/0,4	3300	16200	18500	98,92	98,8	99,09	98,99	63	0,8	6	3800	1710		2300
GreenCast® 2500/6/0,4	3700	19000	21500	99,00	98,89	99,16	99,07	65	0,7	6	4450	1785		2400
GreenCast® 3150/6/0,4	4400	21300	24400	99,10	99,00	99,23	99,15	66	0,6	6	5450	1970	2450	

Data and characteristics are not binding and can be changed without notice

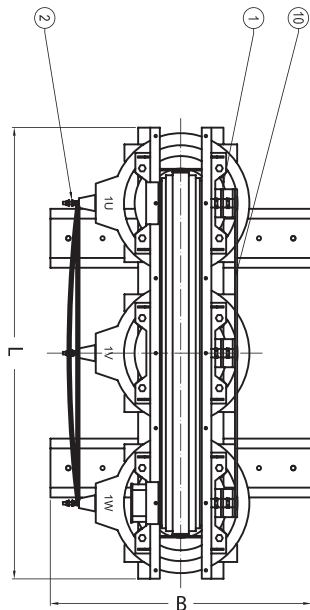
Front view

- 1. HV terminals
  - 2. HV terminals
  - 3. Lifting lugs
  - 4. Name plate
  - 5. Auxiliary terminal box
  - 6. Pulling holes
  - 7. Tap changer
  - 8. Earthing terminal
  - 9. Orientable wheels
- H Height  
F The distance between wheels



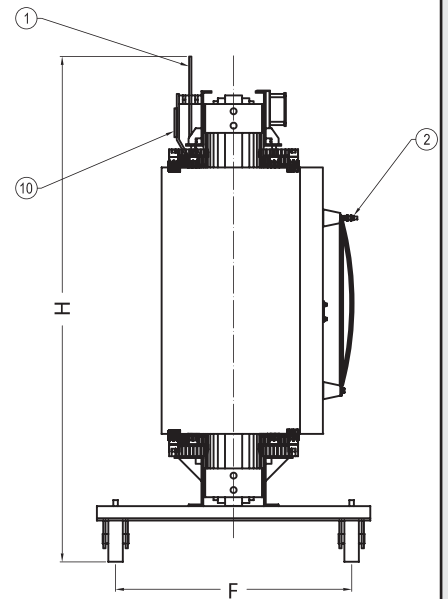
Top view

- 1 LV terminals
  - 2 HV terminals
- L Length  
B Width

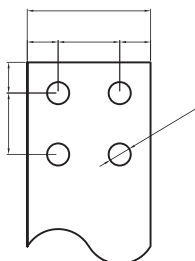


Side view

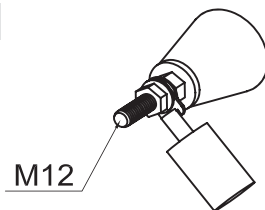
- 1 LV terminals
  - 2 HV terminals
  - 10. L.V. Neutral terminal
- L Length  
B Width



LV terminals



HV terminals



Neutral terminal

