

Technical data on distribution transformers from 100 kVA to 3150 kVA

Rated high voltage:	35 kV $\pm 2 \times 2.5 \%$
Rated low voltage:	400 V
Frequency:	50 Hz
Vector group:	Dyn11
Thermal insulation class HV/LV:	F/F
Maximum ambient temperature:	40 °C
Windings temperature rise:	100 °K
Environmental, climatic and fire classes	E2-C2-F1 according to IEC60076-11 edition 05/2004
Material windings:	Aluminium
Cooling system:	AN (ambient natural) / AF (air forced)
Protection class:	IP00/IP21-31
Location above sea level:	≤ 1000 m
Basic equipment:	RTD sensors PT100 (3 pcs.) Off-circuit tapplings links , Lifting lugs (4 pcs.), Earthing locations (2pcs.)

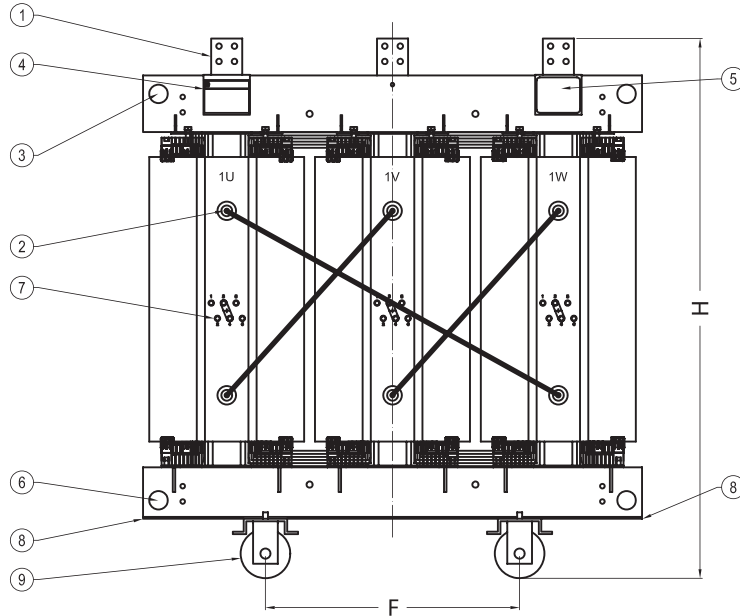
Technical data

Name kV*A	No load losses , W	Load losses at 75 °C W	Load losses at 120 °C, W	Efficiency				Sound pressure, L _{padB(A)}	No-load current, %	Short-circuit impedance, UK %	Weight, kg	Dimensions		
				4/4 Cos $\phi=1$ (%)	4/4 Cos $\phi=0.9$ (%)	4/3 Cos $\phi=1$ (%)	4/3 Cos $\phi=0.9$ (%)					Length	Width	Height
GreenCast® 100/35/0,4	900	2800	3200	96,06	95,64	96,53	96,15	52	2,5	5	950	1400	930	1250
GreenCast® 160/35/0,4	1000	3150	3600	97,21	96,90	97,54	97,27	54	2,2	6	1100	1450	940	1100
GreenCast® 200/35/0,4	1050	3300	3800	97,63	97,37	97,92	97,69	54	2,1	6	1200	1480	940	1200
GreenCast® 250/35/0,4	1150	3500	4000	98,00	97,78	98,24	98,05	54	2,0	6	1310	1500	950	1250
GreenCast® 315/35/0,4	1300	3800	4300	98,25	98,06	98,45	98,28	55	1,9	6	1480	1560	960	1300
GreenCast® 400/35/0,4	1500	4200	4800	98,45	98,28	98,62	98,46	56	1,7	6	1730	1575	1040	1450
GreenCast® 500/35/0,4	1650	4900	5600	98,57	98,41	98,74	98,60	56	1,6	6	2000	1650	1100	1500
GreenCast® 630/35/0,4	2000	6000	6800	98,62	98,47	98,78	98,65	57	1,5	6	2300	1770	1120	1550
GreenCast® 800/35/0,4	2500	6600	7500	98,77	98,63	98,89	98,77	58	1,4	6	2750	1830	1150	1600
GreenCast® 1000/35/0,4	3000	7900	9000	98,81	98,68	98,94	98,82	59	1,3	6	3100	1880	1150	1700
GreenCast® 1250/35/0,4	3400	9300	10650	98,89	98,76	99,01	98,90	60	1,2	6	3500	1920	1200	1800
GreenCast® 1600/35/0,4	4000	10900	12500	98,98	98,86	99,09	98,99	61	1,1	6	4150	2000	1200	2200
GreenCast® 2000/35/0,4	4900	13100	15000	99,01	98,91	99,12	99,02	62	1,0	6	4900	2100	1300	2300
GreenCast® 2500/35/0,4	5500	16200	18500	99,05	98,94	99,16	99,06	63	0,8	6,5	5900	2190	1300	2350
GreenCast® 3150/35/0,4	5900	20200	23000	99,09	98,99	99,21	99,12	65	0,7	8	7100	2340	1350	2670

Data and characteristics are not binding and can be changed without notice

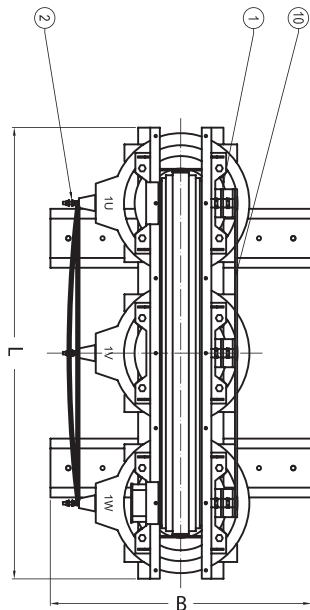
Front view

- 1. Output HV terminals
 - 2. Input HV terminals
 - 3. Lifting lugs
 - 4. Name plate
 - 5. Auxiliary terminal box
 - 6. Pulling holes
 - 7. Tap changer
 - 8. Earthing terminal
 - 9. Orientable wheels
- H Height
F The distance between wheels



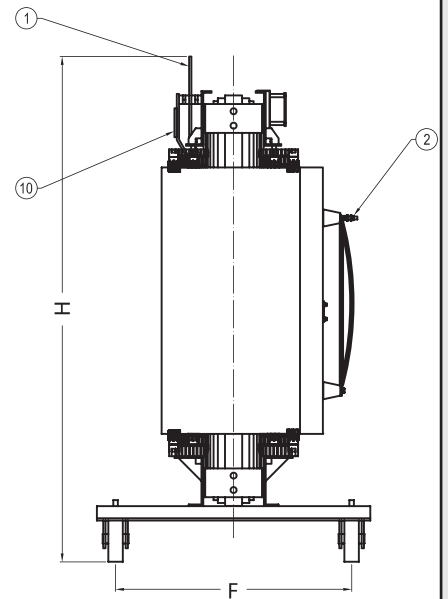
Top view

- 1 LV terminals
 - 2 HV terminals
- L Length
B Width

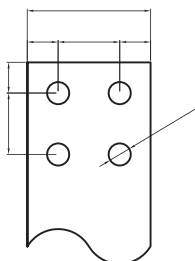


Side view

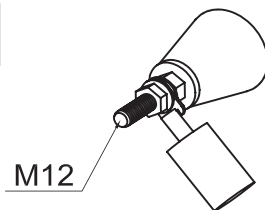
- 1 LV terminals
 - 2 HV terminals
 - 10. L.V. Neutral terminal
- L Length
B Width



LV terminals



HV terminals



Neutral terminal

