

Technical data on distribution transformers from 100 kVA to 3150 kVA

Rated high voltage:	20 kV $\pm 2 \times 2.5 \%$
Rated low voltage:	400 V
Frequency:	50 Hz
Vector group:	Dyn11
Thermal insulation class HV/LV:	F/F
Maximum ambient temperature:	40 °C
Windings temperature rise:	100 °K
Environmental, climatic and fire classes	E2-C2-F1 according to IEC60076-11 edition 05/2004
Material windings:	Aluminium
Cooling system:	AN (ambient natural) / AF (air forced)
Protection class:	IP00/IP21-31
Location above sea level:	≤ 1000 m
Basic equipment:	RTD sensors PT100 (3 pcs.) Off-circuit tapplings links , Lifting lugs (4 pcs.), Earthing locations (2pcs.)

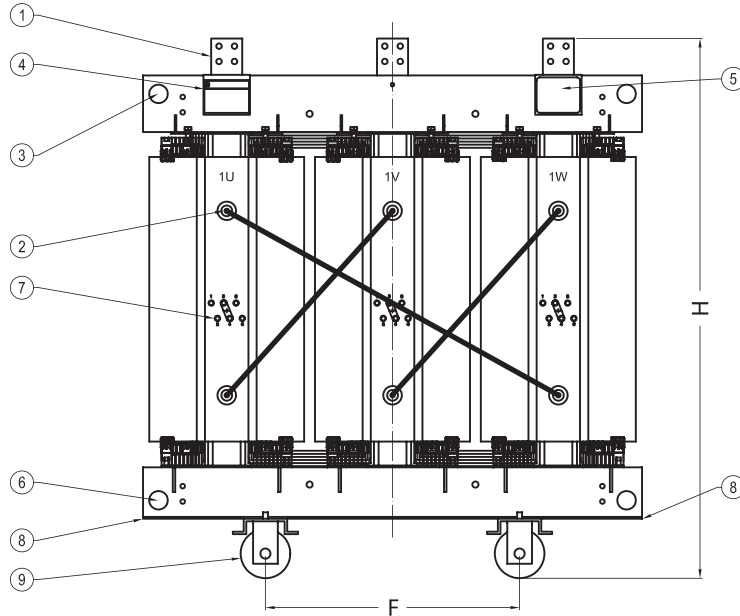
Technical data

Name kV*A	No load losses , W	Load losses at 75 °C W	Load losses at 120 °C, W	Efficiency				Sound pressure, L _{padB} (A)	No-load current, %	Short-circuit impedance, UK %	Weight, kg	Dimensions		
				4/4 Cos $\phi=1$ (%)	4/4 Cos $\phi=0.9$ (%)	4/3 Cos $\phi=1$ (%)	4/3 Cos $\phi=0.9$ (%)					Length	Width	Height
GreenCast® 100/20/0,4	550	1800	2000	97,51	97,24	97,81	97,60	48	2,3	6	630	1130	650	1100
GreenCast® 160/20/0,4	650	2800	3150	97,68	97,43	98,02	97,81	51	2,0	6	750	1170		1155
GreenCast® 200/20/0,4	750	3250	3800	97,77	97,53	98,11	97,91	53	1,9	6	900	1185		1200
GreenCast® 250/20/0,4	800	3800	4400	97,96	97,74	98,28	98,09	54	1,8	6	1000	1215		1200
GreenCast® 315/20/0,4	1000	4600	5200	98,7	97,86	98,36	98,18	56	1,7	6	1150	1260		1250
GreenCast® 400/20/0,4	1100	5200	5950	98,26	98,08	98,54	98,39	57	1,5	6	1300	1290	800	1490
GreenCast® 500/20/0,4	1300	6200	7000	98,36	98,19	98,62	98,47	57	1,4	6	1500	1395		1550
GreenCast® 630/20/0,4	1650	6950	8000	98,49	98,33	98,71	98,57	58	1,3	6	1800	1470		1600
GreenCast® 800/20/0,4	1850	8300	9500	98,60	98,45	98,81	98,68	59	1,2	6	2000	1500	1670	
GreenCast® 1000/20/0,4	2200	9500	10800	98,72	98,57	98,91	98,79	60	1,1	6	2400	1590	950	1760
GreenCast® 1250/20/0,4	2600	11000	12500	98,80	98,67	98,98	98,87	62	1,0	6	2850	1650		1850
GreenCast® 1600/20/0,4	3150	13000	14500	98,91	98,79	99,06	98,96	62	0,9	6	3600	1770	1200	2040
GreenCast® 2000/20/0,4	3500	16200	18000	98,9	98,79	99,08	98,98	63	0,8	6	4000	1770		2300
GreenCast® 2500/20/0,4	4000	18500	21000	99,01	98,90	99,16	99,07	65	0,7	6	4700	1850		2400
GreenCast® 3150/20/0,4	4600	21000	23500	99,19	99,10	99,31	99,23	66	0,6	6	5800	2040	2450	

Data and characteristics are not binding and can be changed without notice

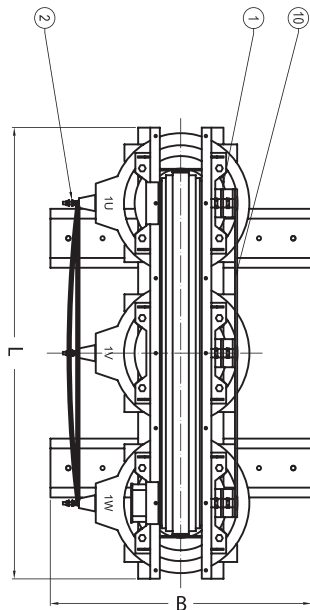
Front view

- 1. HV terminals
 - 2. HV terminals
 - 3. Lifting lugs
 - 4. Name plate
 - 5. Auxiliary terminal box
 - 6. Pulling holes
 - 7. Tap changer
 - 8. Earthing terminal
 - 9. Orientable wheels
- H Height
F The distance between wheels



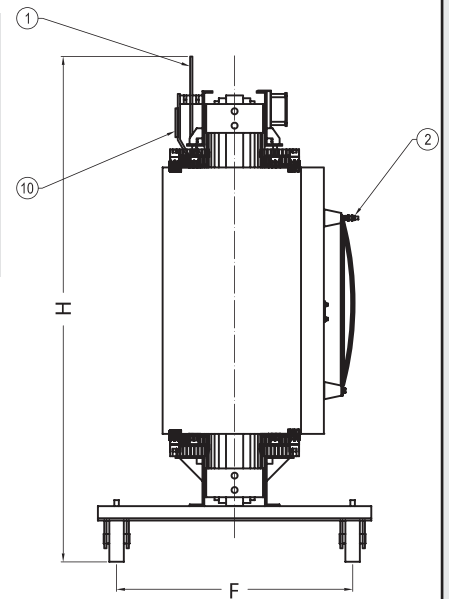
Top view

- 1 LV terminals
 - 2 HV terminals
- L Length
B Width

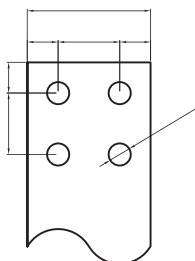


Side view

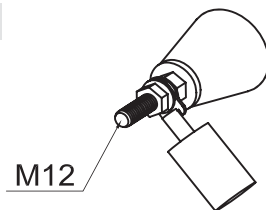
- 1 LV terminals
 - 2 HV terminals
 - 10. L.V. Neutral terminal
- L Length
B Width



LV terminals



HV terminals



Neutral terminal

